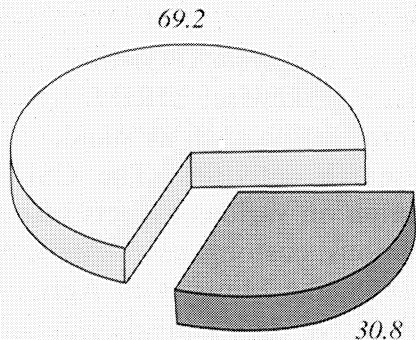
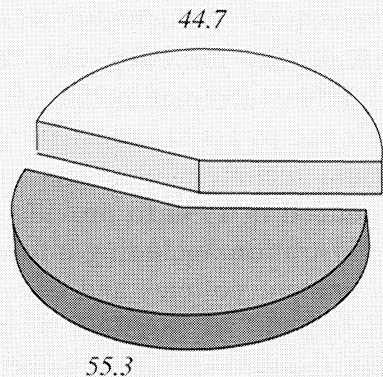


**IT USAGE IN THE MANUFACTURING SECTOR
BY FIRM SIZE, 1994**
(%)



SMIs



Large Firms

